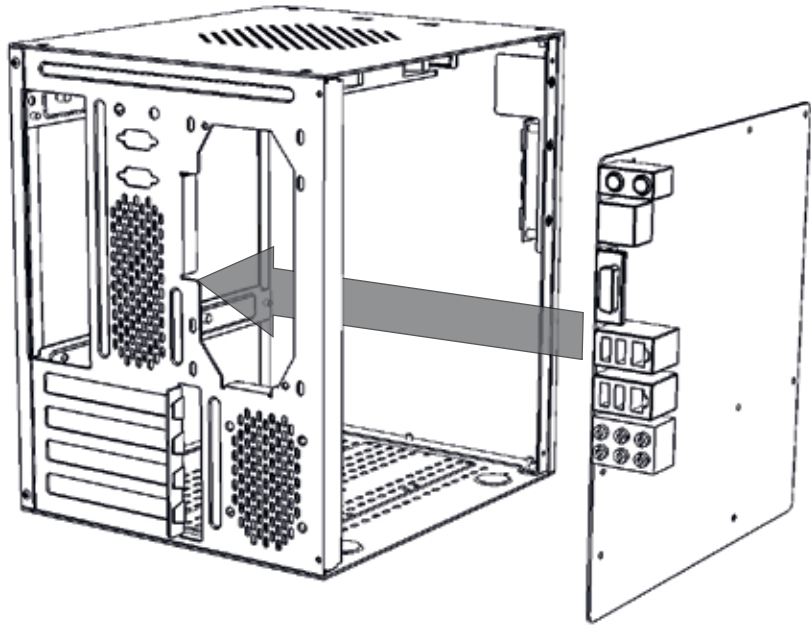
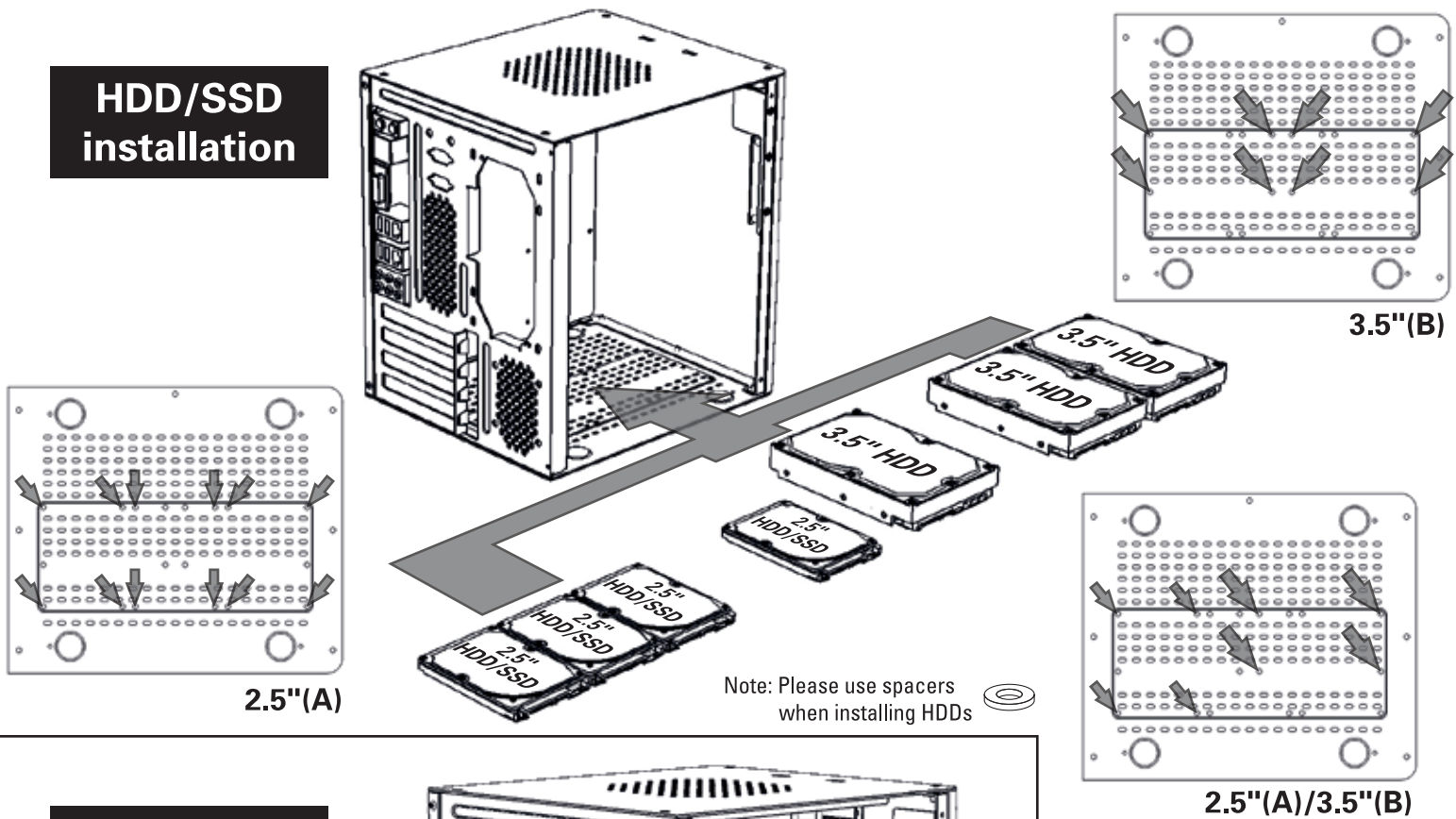


### Mainboard installation



### HDD/SSD installation



### PSU installation

